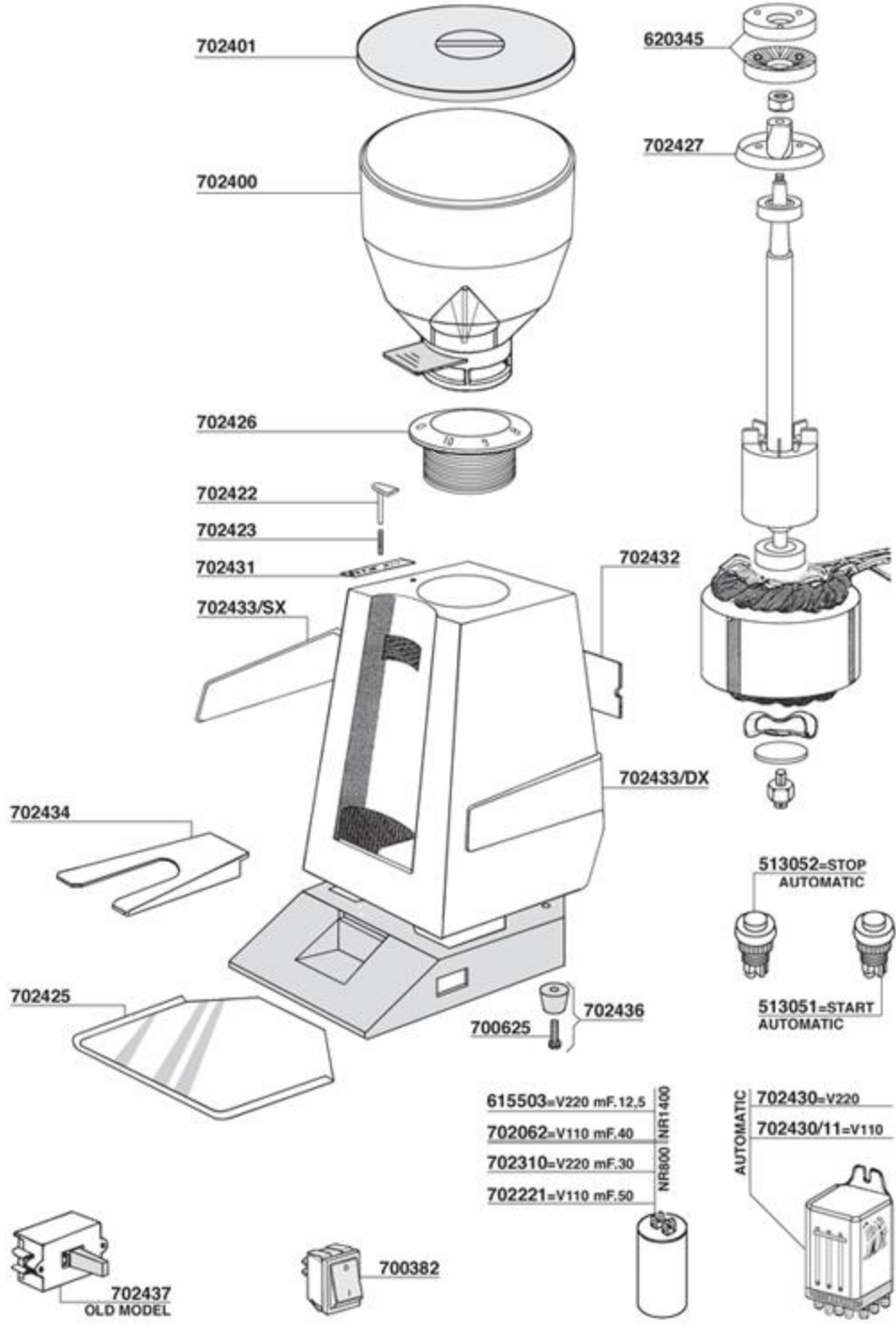
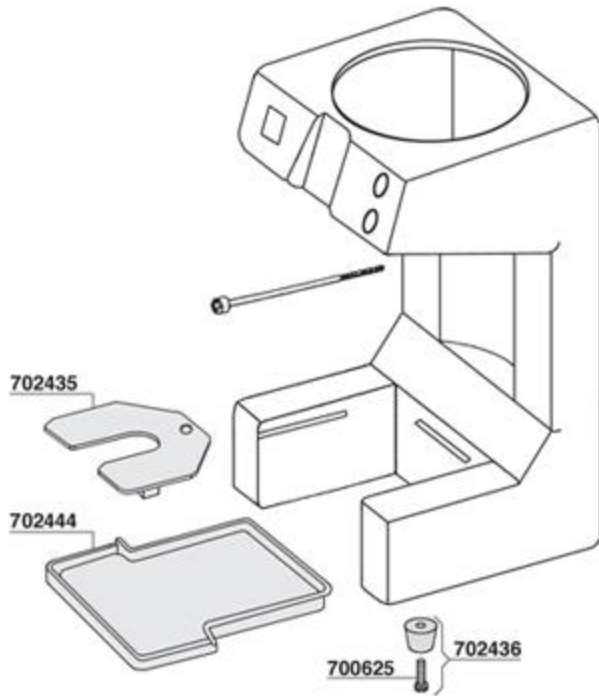
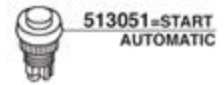
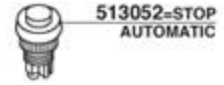
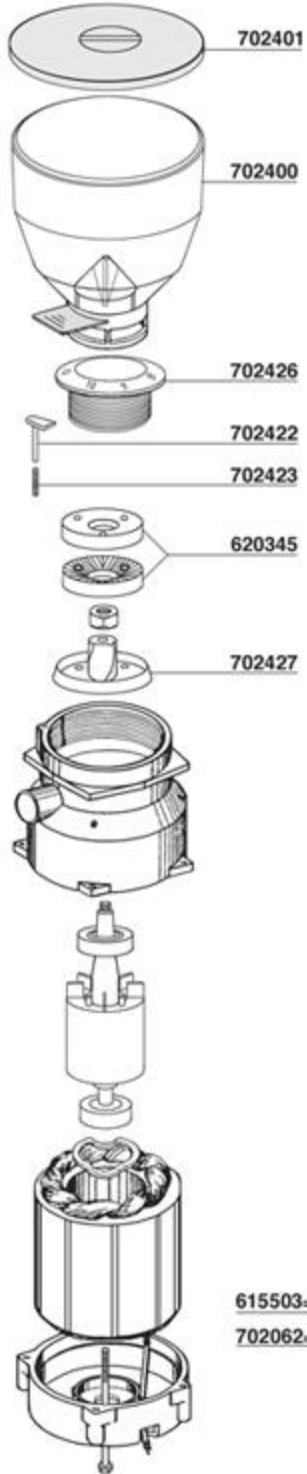




OBEL MODEL:DSQ - NR1400 - NR900



OBEL MODEL: EB



615503=V220 mF.12.5

702062=V110 mF.40



702430=V220

702430/11=V110



OBEL MODEL:JUNIOR - ROMA

702445 0mm.50 OLD 702462 0mm.95 NEW

702446

702404

702447

702448

702449

702408

702450

702463

702410

702421

702451

702414

702461

700382

702262 V110 20mF

621112 V220 6,3mF

702452

702453

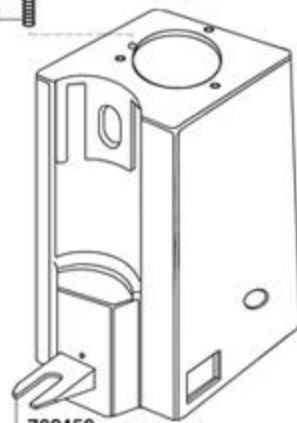
Kg.0,250

702454

702455

702456

702423



702459

620348

702457



702460

ROMA ELECTRONIC

702464 =V220
702464/11=V110



SCHEDA DOSATURA
DOSING ELECTRONIC CARD



PULSANTE N.A.
PUSH BUTTUN



702466/N
NERO/BLACK



FILTRO ANTIDISTURBO
INTERFERENCE SUPPRESSOR